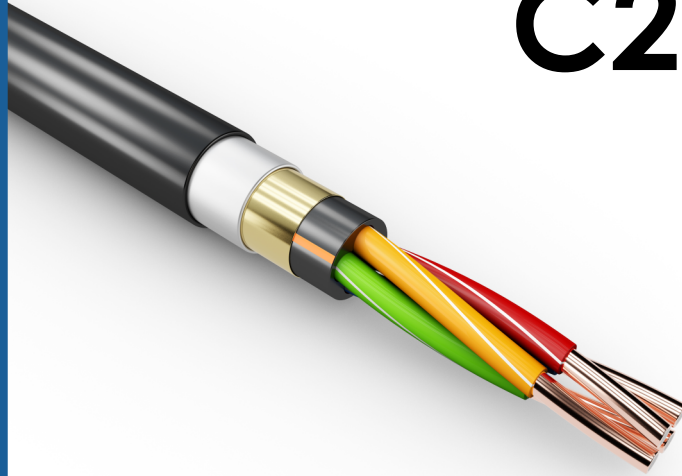




GENVOLT

Multi Conductor Cable

C2249



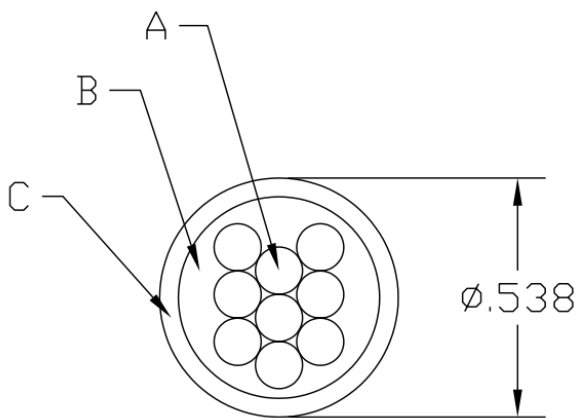
High Voltage
Multi Conductor Cable



C2249

15kV_{DC} / SILICONE DIELECTRIC / 9 CONDUCTOR

CONSTRUCTION



KEY

- A. 9 X 20 AWG, SILICONE WIRES TO Ø0.126IN EACH
- B. BINDING TAPE MYLAR 0.001 THK X 1" WIDE
WHITE FILLER JUTE
- C. FLEXIBLE PVC JACKET- 0.050 THK BLACK

TECHNICAL INFORMATION

Voltage kV (DC)		15	Voltage kV (AC)		5
Number of Conductors		9	Outside Diameter	Inches	0.538
				cm	1.367
AWG		#20	Impedance	ohms	42
Strands		10/30 TC	Capacitance	pF/ft	43
Insulation		Silicone	Min Bend Radius	Inches	4.00
Semicon Diameter		N/A		Cm	10.16
Dielectric Insulation	Material	Silicone	Min Ambient Temp	°F	-60
	Diameter (in)	0.126		°C	-51
	Diameter (cm)	0.320	Max Conductor Temp	°F	140
Shield	Construction	N/A		°C	60
	AWG Equiv	N/A	Weight	lb/ft	0.270
	Coverage %	N/A		kG/m	0.402
	Semicon	N/A	Jacket Material	PVC	

GLOBAL PRESENCE



UK Office:

Genvolt, New Road, Bridgnorth, Shropshire, WV16 6NN, United Kingdom

Tel: +44 (0) 1746 862 555

Email: info@genvolt.co.uk Website: www.genvolt.com

India Office:

Genvolt India Private Limited

806, Suratwala Mark Plazzo, Hinjewadi Village, Hinjewadi, Pune, Maharashtra - 411057, India

Email: supportindia@genvolt.co.uk Website: www.genvolt.in

Research and Development:

Genvolt Ltd

New road, Bridgnorth, Shropshire, WV16 6NN

Factories:

Genvolt Ltd

New road, Bridgnorth, Shropshire, WV16 6NN

Boher High Voltage Power Supplies Ltd (Genvolt China)

No. 79 Yandangshan Road, Suyu District, Suqian City, Jiangsu, China